



A Division of **TUXEDO** Distributors, LLC.

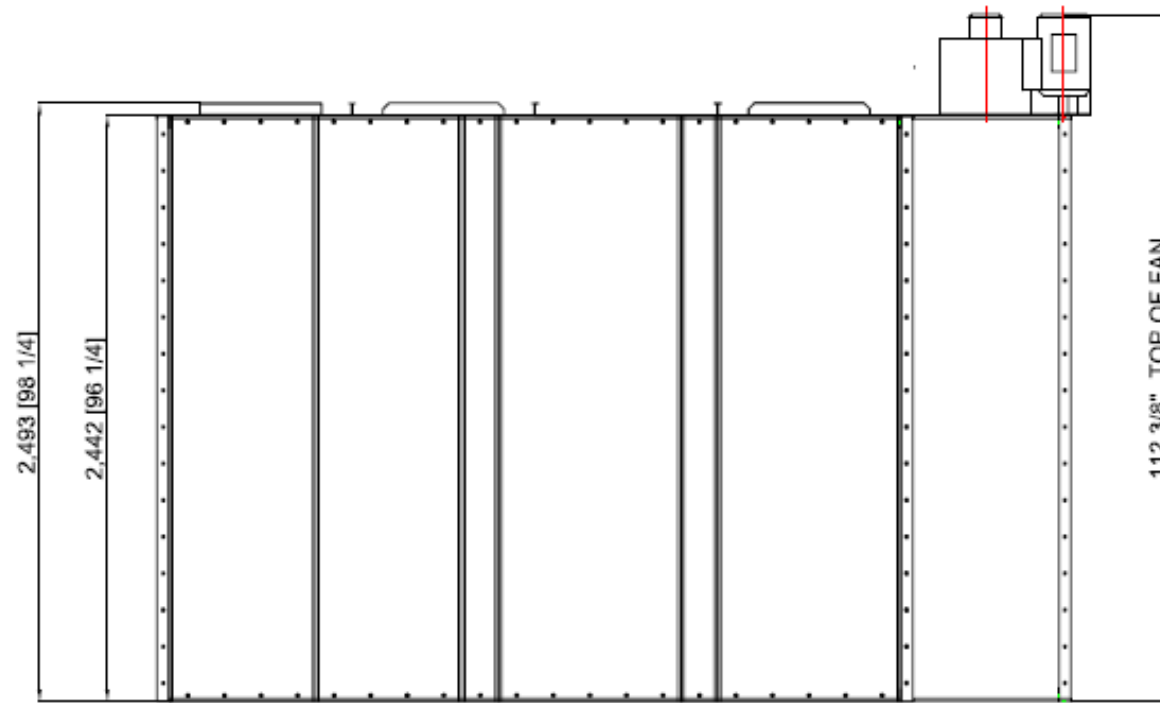
Paint Spray Booths

Model # PSB-PMR1088-AK

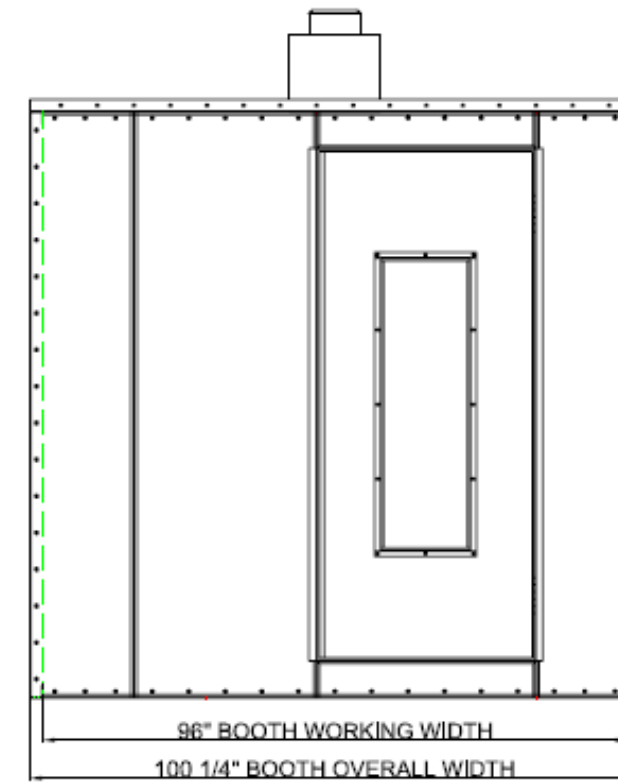
Detailed BOM List &

Assembly Detail Diagrams

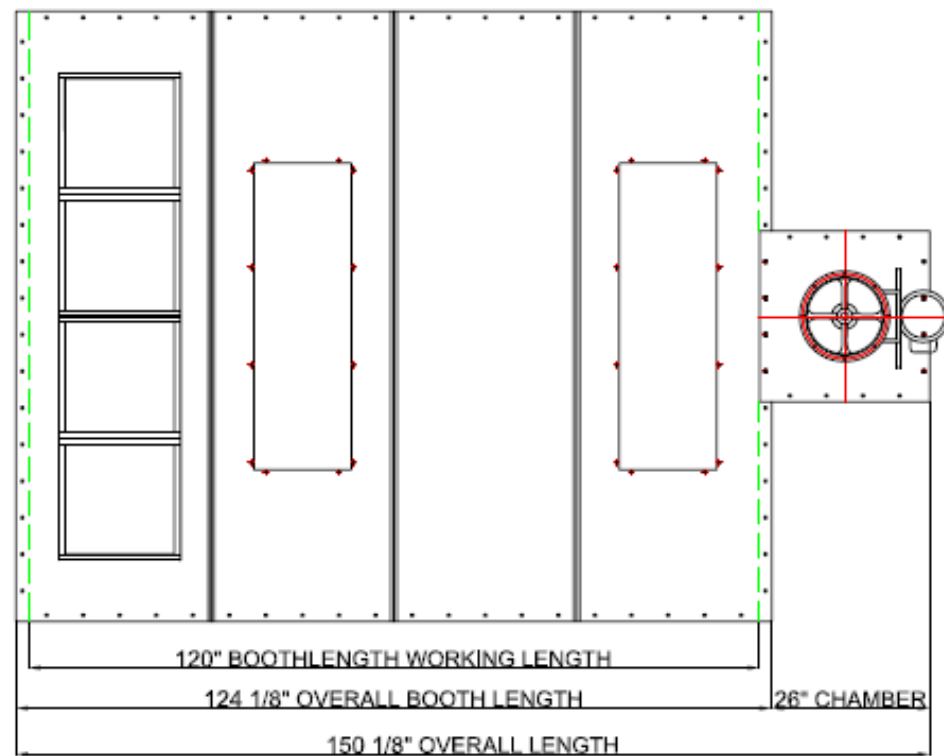
(PSB-PMR1088-AK) FLOOR PLAN & ELEVATION DIMENSIONS
(PERSONNEL DOOR LOCATION TO FRONT)



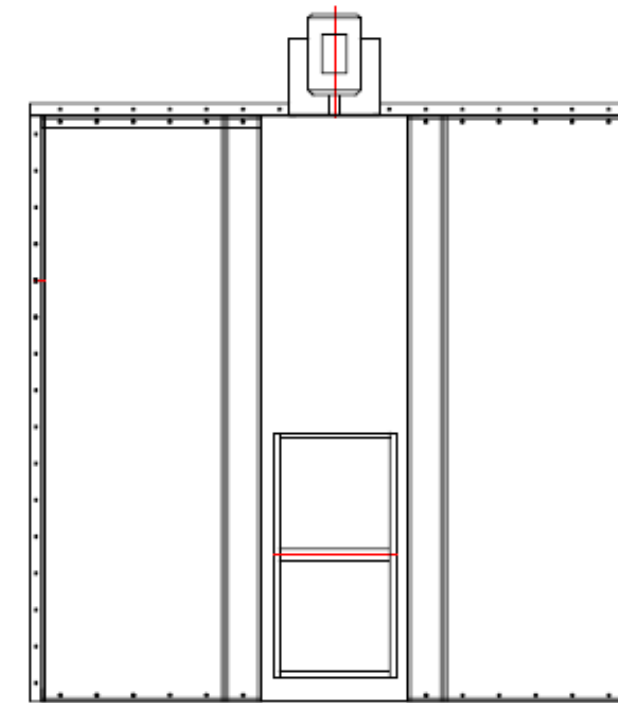
SIDE ELVATION



FRONT VIEW

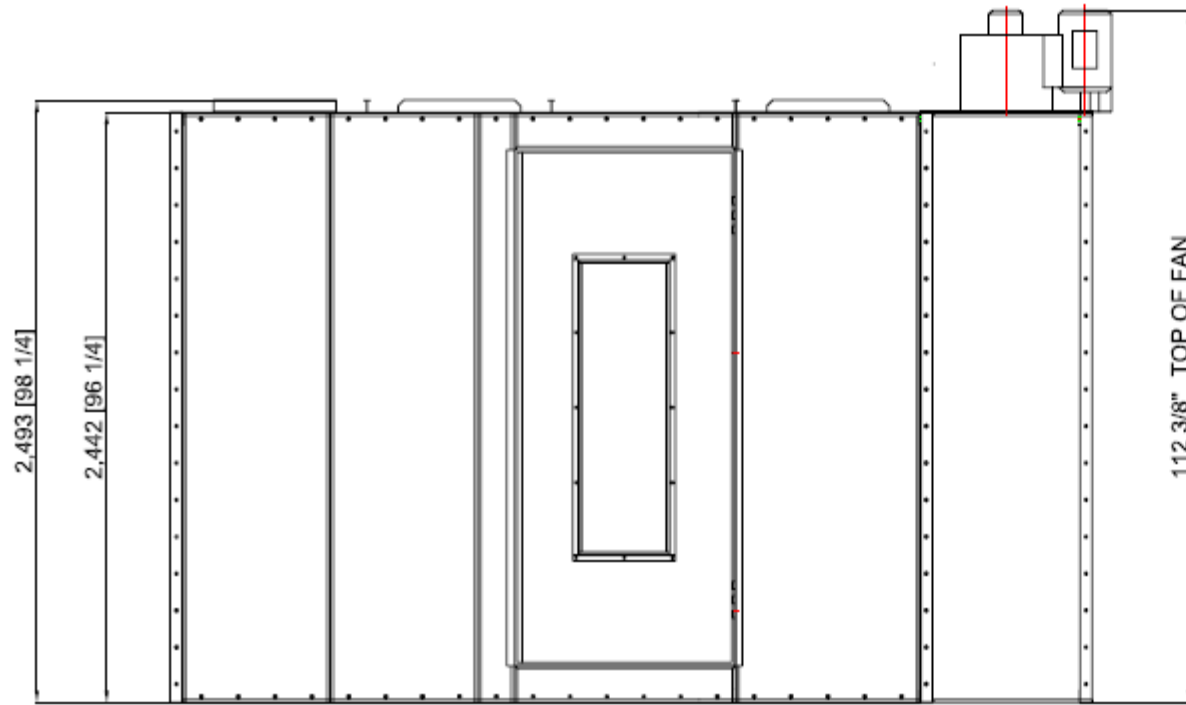


PLAN VIEW

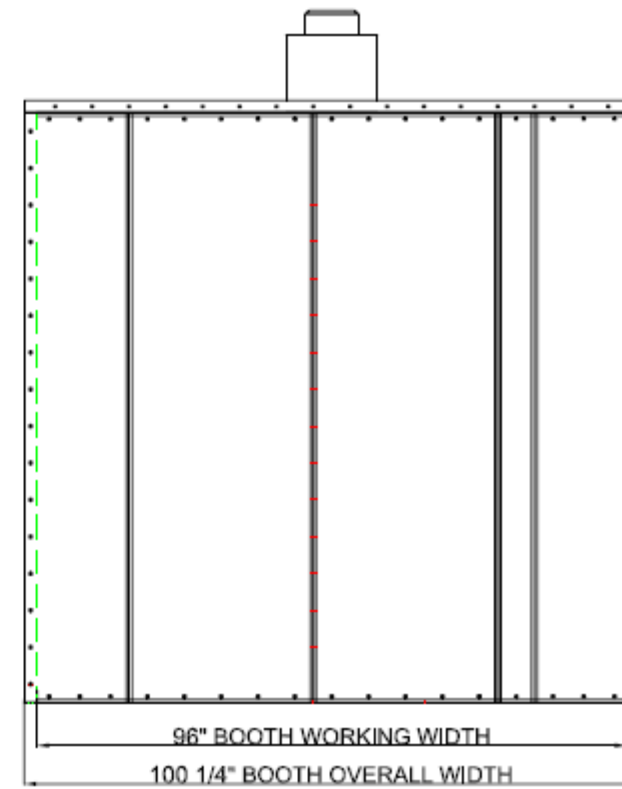


REAR VIEW

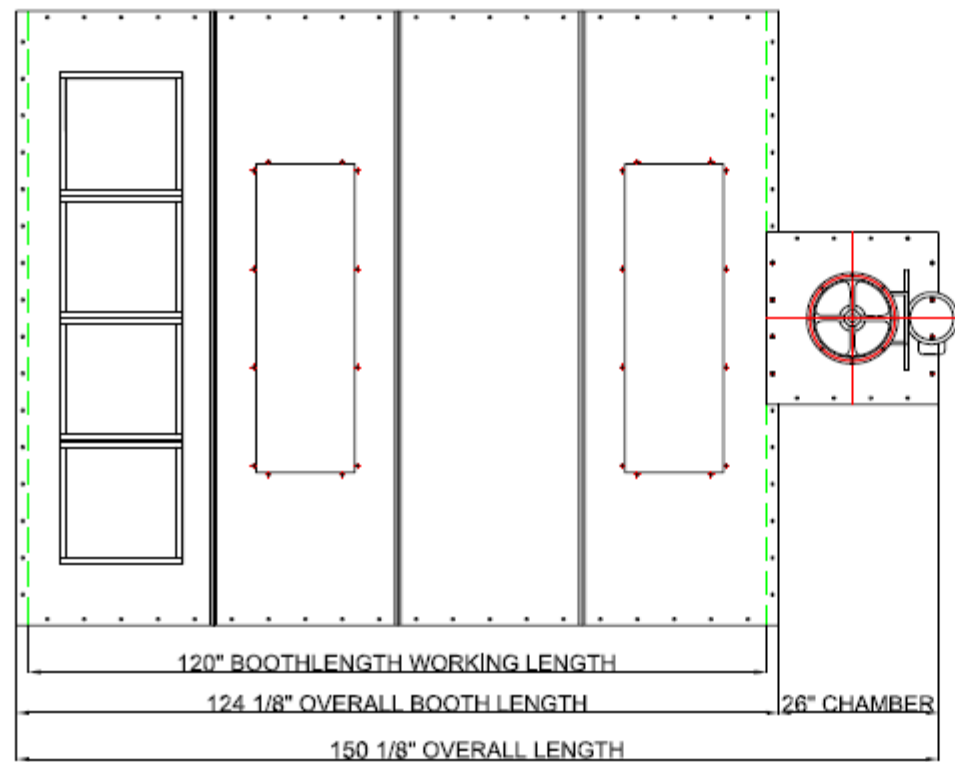
(PSB-PMR1088-AK) FLOOR PLAN & ELEVATION DIMENSIONS
(PERSONNEL DOOR LOCATION TO SIDE)



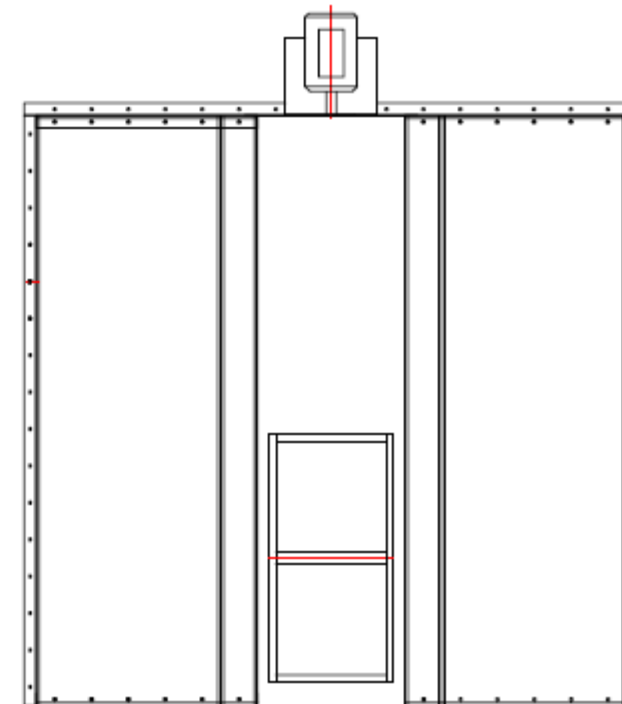
SIDE ELVATION



FRONT VIEW

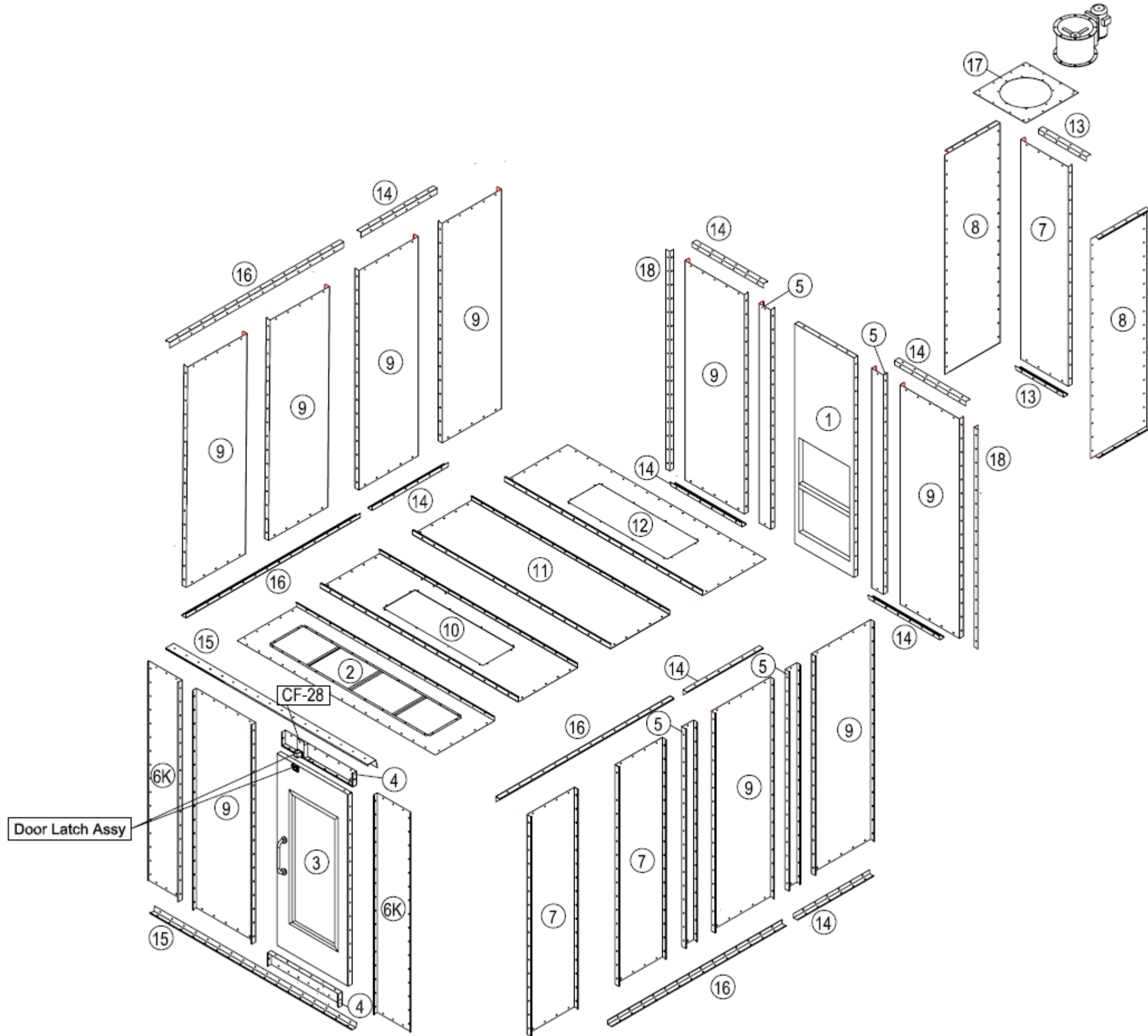


PLAN VIEW

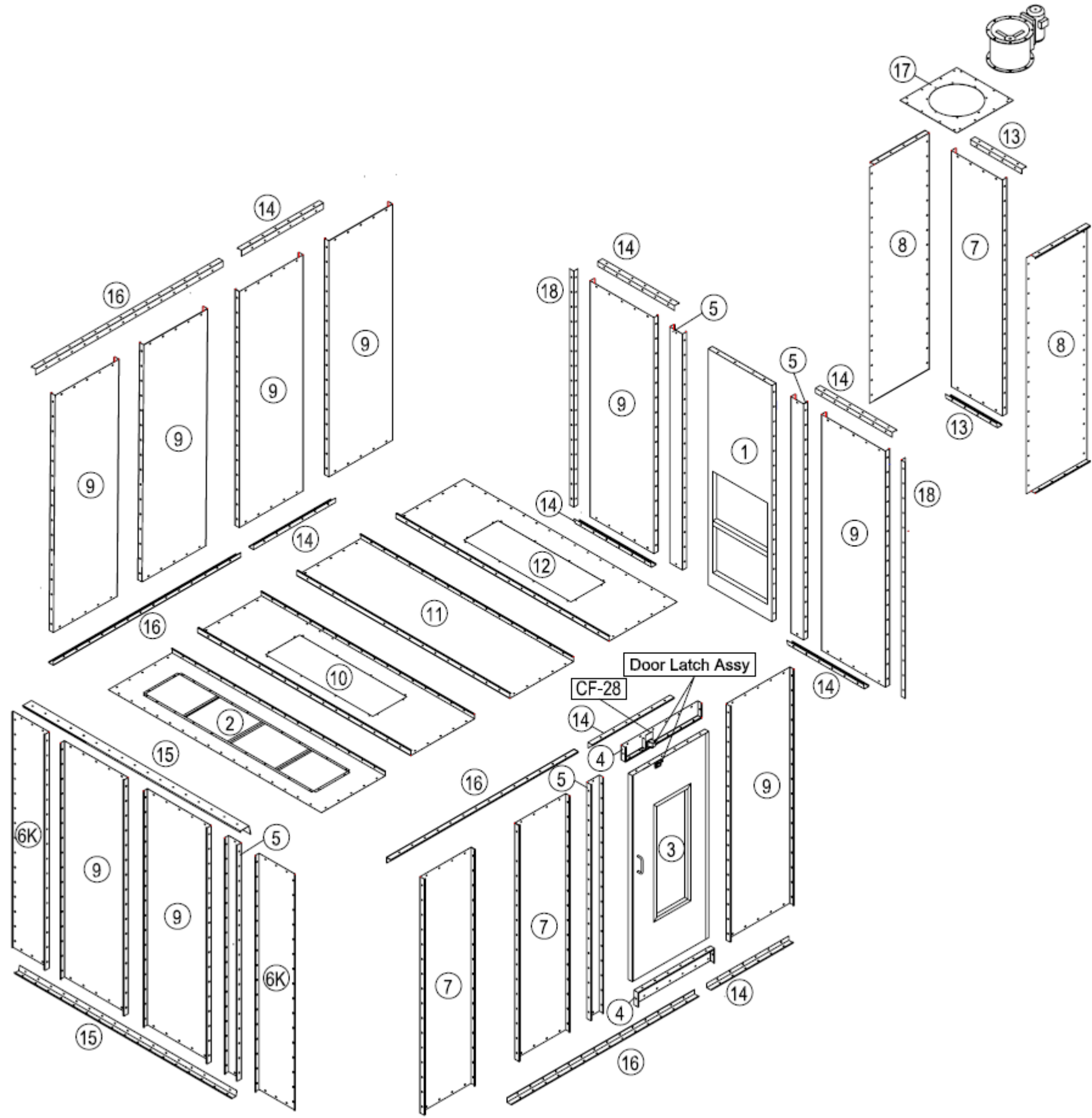


REAR VIEW

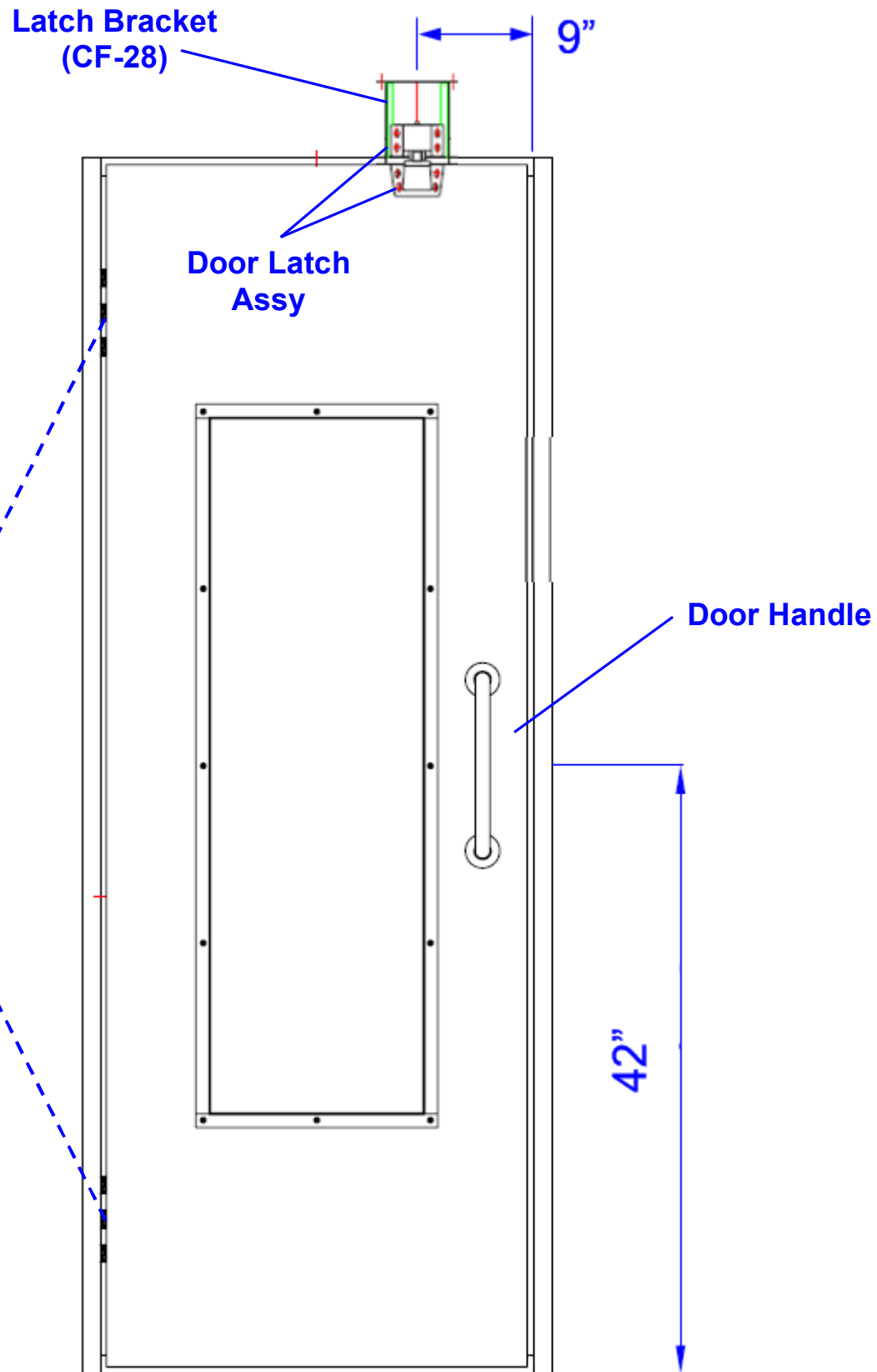
(PSB- PMR1088-AK) ISOMETRIC VIEW
(PERSONNEL DOOR LOCATION TO FRONT)



(PSB- PMR1088-AK) ISOMETRIC VIEW
(PERSONNEL DOOR LOCATION TO SIDE)



(PSB- PMR1088-AK) PERSONNEL DOOR ASSEMBLY



Note:
Personnel Door & Frame Assembly
can be flipped to position hinges on
left or right side.

(PSB-PMR1088-AK) EXHAUST & INTAKE FILTER INSTALLATION

