

# Neutralizer® AC Auto Body Refinishing Anti-static Gun



AUTOMOTIVE



INDUSTRIAL

MODEL NUMBER 6500

CORONA



The Neutralizer® AC incorporates the efficiency and power of an air amplifier with the proven technology of corona ionization to produce a highly effective anti-static blow-off gun. It **can be used at all stages of surface prep** — before and after priming, painting and applying top coat.

The Model 6500 eliminates the need for anti-static sprays or chemicals. By removing static charge, fibers and airborne impurities will not stick to plastic, fiberglass, rubber or other painting surfaces. **Using advanced technology, similar to that used in clean rooms and laboratories, the Neutralizer® AC lets you keep the surface clean** so you can avoid unnecessary reworking and buffing. This means shorter prep times as well as lower labor and material costs plus, quality customer satisfaction.

The Neutralizer® AC kit includes a lightweight, durable gun, rechargeable lithium ion battery, two emitter pins and safety keys. The Model 6500 is portable and convenient to use in any collision shop, painting booth or restoration project and is equally well-suited for use on RVs, trucks and boats.

## APPLICATIONS

- Painting, coating, detailing, collision repair, restoration, glass

## FEATURES

- Wide area coverage
- Rechargeable lithium ion battery
- Easily replaceable emitter pin and filter
- Safety trigger key
- Lightweight, durable construction
- Convenient hanging ring

## BENEFITS

- Shorter prep time
- Great for all stages of paint
- Minimizes reworking, wet sanding and buffing time
- Increases productivity and profitability
- Lower labor and material costs
- Great for cars, RVs, trucks, boats and planes

EVERY SITUATION IS UNIQUE. SO IS EVERY SOLUTION.®

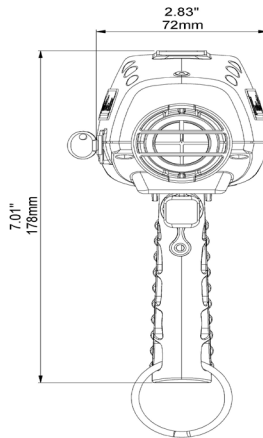
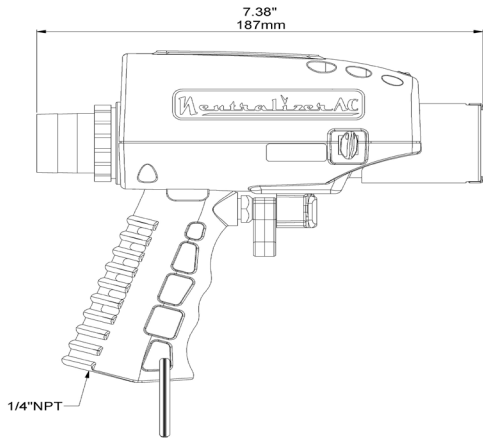


# Neutralizer® AC Auto Body Refinishing Anti-static Gun

MODEL NUMBER 6500

CORONA

## SCHEMATICS



## SPECIFICATIONS

**Dimensions:** 2.83in W x 7.01in H x 7.38in L (72 mm x 178 mm x 187 mm)

**Emitter Point:** Tungsten 99.99%

**Gas Input:** 50-80 psi, Clean Dry Air (CDA) or Nitrogen

**LED Indicators:** Green - Power On

**Line Connection:** 1/4 in NPT, female

**Power Supply Input Voltage:** Lithium ion battery

**Technology:** Corona

**Weight:** 17.6 oz. ( 520g)

**DECAY RATE:** < 2 seconds, ( $\pm 1000$  to 100V), ANSI/ESD Association STM 3.1 @30psi, 6 inches

## ACCESSORIES



**Emitter Pin Replacement Kit**  
Model 6500-PTS



**Replacement Battery**  
Model 6500-BAT



**Replacement Battery Charger**  
Model 6500-CHG



**Filter Replacement Kit**  
Model 6500-FIL



**EU Plug Adapter**  
Model 6500-EU



**UK Plug Adapter**  
Model 6500-UK



**AU Plug Adapter**  
Model 6500-AU

## MAINTENANCE

It is necessary to clean and replace emitter point as needed.

**NOTICE:** NRD expressly warrants that, for a period of one (1) year from the time of purchase, the ionizer will be free of defects in material (parts) and workmanship (labor).

**NRD, LLC USA**  
800-525-8076  
716-773-7634  
Sales@NRDLLC.com  
2937 Alt Boulevard  
PO Box 310  
Grand Island, NY  
14072-0310 USA

**NRD Asia Pte. Ltd.**  
+65 6679 1707  
Sales@NRDAsia.com  
114 Lavender Street  
#08-90 CT Hub 2  
Singapore 338729

Contact NRD at **1-800-525-8076** or visit **nrdstaticcontrol.com** to learn more and find the jobber nearest you.

