



**Astro Pneumatic
Tool Company**
372 Old US Highway 52 South
Mount Airy, NC 27030

Model:

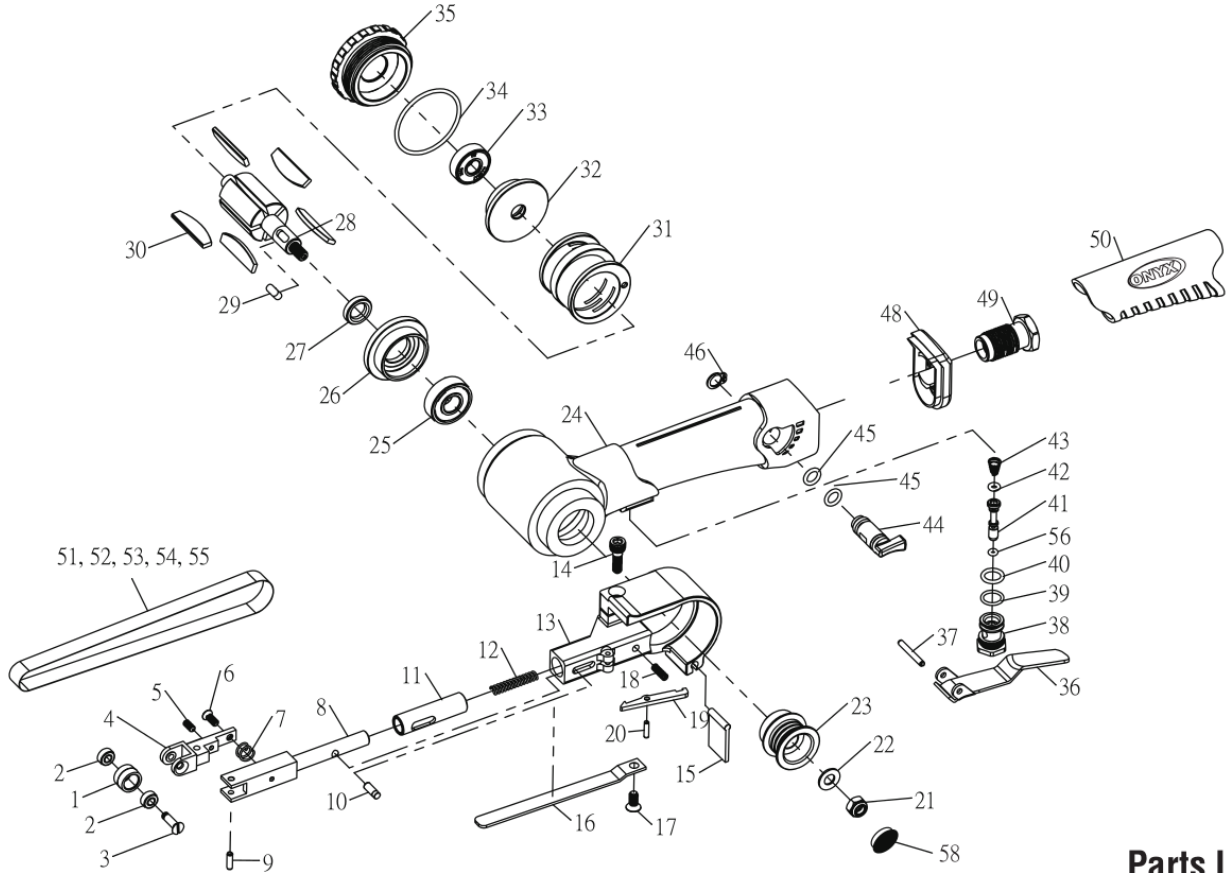
3036

Product Type:

**AIR BELT SANDER
3/8" x 13"**

PARTS BREAKDOWN

Call 1.800.221.9705 for questions concerning performance of the product or other inquiries.



Parts List

| Index | Part No. | Description | Qty |
|-------|----------|-----------------------------------|------|
| 1A | 3036-01A | Idle Pulley Assembly | 1set |
| 1 | 3036-01 | Idle Pulley | 1 |
| 2 | 3036-02 | Ball Bearing (684zz) | 2 |
| 3 | 3036-03 | Idle Pulley Screw | 1 |
| 4 | 3036-04 | Bracket 10 | 1 |
| 5 | 3036-05 | Set Screw (M3x5) | 1 |
| 6 | 3036-06 | Phillips Screw | 1 |
| 7 | 3036-07 | Spring | 1 |
| 8 | 3036-08 | Tension Bar | 1 |
| 9 | 3036-09 | Spring Pin (∅3x10) | 1 |
| 10 | 3036-10 | Stopper Pin | 1 |
| 11 | 3036-11 | Guard Bushing | 1 |
| 12 | 3036-12 | Tension Spring | 1 |
| 13 | 3036-13 | Guard Sub Ass'y 11 | 1 |
| 14 | 3036-14 | Head Cap Screw (M5x15) | 1 |
| 15 | 3036-15 | Dust Cover | 1 |
| 16 | 3036-16 | Shoe 10 | 1 |
| 17 | 3036-17 | Hexagon Socket Headless Set Screw | 1 |
| 18 | 3036-18 | Stopper Spring | 1 |
| 19 | 3036-19 | Stopper | 1 |

| Index | Part No. | Description | Qty |
|-------|----------|--------------------------------------|-----|
| 20 | 3036-20 | Spring Pin (∅2.5x10) | 1 |
| 21 | 3036-21 | Hexagon Nut (M6) | 1 |
| 22 | 3036-22 | Washer (M6) | 1 |
| 23 | 3036-23 | Drive Pulley | 1 |
| 24 | 3036-24 | Housing | 1 |
| 25 | 3036-25 | Ball Bearing (6000ZZ) | 1 |
| 26 | 3036-26 | Front End Plate | 1 |
| 27 | 3036-27 | Spacer | 1 |
| 28 | 3036-28 | Rotor | 1 |
| 29 | 3036-29 | Parallel Key Both Ends Round 4x4x9.5 | 1 |
| 30 | 3036-30 | Rotor Blade | 5 |
| 31 | 3036-31 | Cylinder | 1 |
| 32 | 3036-32 | Rear End Plate | 1 |
| 33 | 3036-33 | Ball Bearing (608zz) | 1 |
| 34 | 3036-34 | O-Ring (S38) | 1 |
| 35 | 3036-35 | Cap | 1 |
| 36 | 3036-36 | Throttle Lever | 1 |
| 37 | 3036-37 | Spring Pin (∅3x20) | 1 |
| 38 | 3036-38 | Valve Body | 1 |

| Index | Part No. | Description | Qty |
|-------|----------|----------------------------------|-----|
| 39 | 3036-39 | O-Ring (S11.2) | 1 |
| 40 | 3036-40 | O-Ring (P-9) | 1 |
| 41 | 3036-41 | Valve Stem | 1 |
| 42 | 3036-42 | O-Ring (P3) | 1 |
| 43 | 3036-43 | Valve Spring | 1 |
| 44 | 3036-44 | Air Regulator | 1 |
| 45 | 3036-45 | O-Ring (P7) | 2 |
| 46 | 3036-46 | External Stop Ring (STW-8) | 1 |
| 48 | 3036-48 | Exhaust Diffuser | 1 |
| 49 | 3036-49 | Inlet Bushing | 1 |
| 50 | 3036-50 | Housing Cover | 1 |
| 51 | 303640 | Sanding Belt 40 Grit | 1 |
| 52 | 303660 | Sanding Belt 60 Grit | 1 |
| 53 | 303680 | Sanding Belt 80 Grit | 1 |
| 54 | 3036100 | Sanding Belt 100 Grit (Optional) | |
| 55 | 3036120 | Sanding Belt 120 Grit (Optional) | |
| 56 | 3036-56 | O-Ring (AS-004) | 1 |
| 58 | 3036-55 | Pulley Cover | 1 |